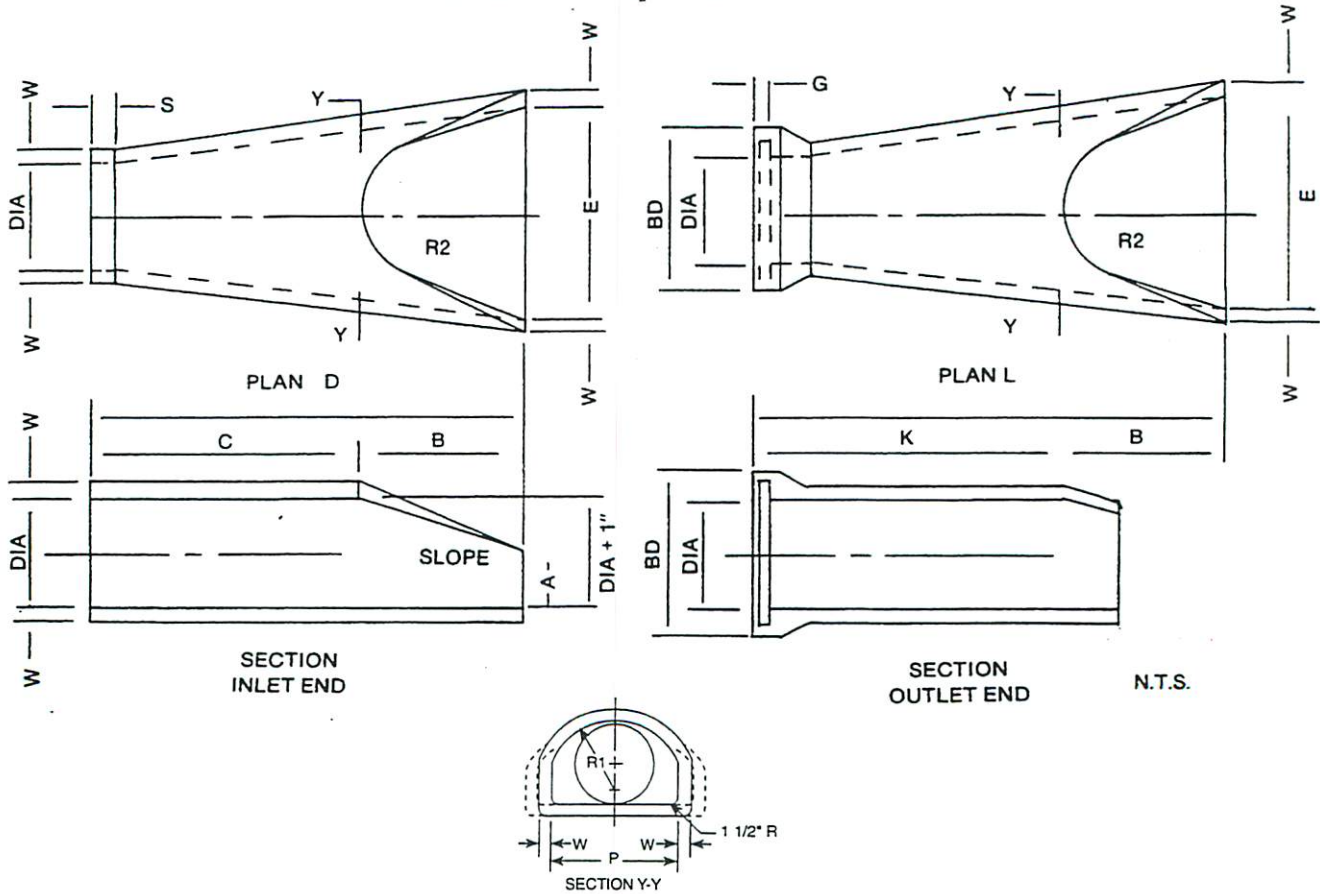


12"-24" R.C. Pipe Flared Ends



DIA	W	A	B	C	D	E	BD	D	L	P	DIA + 1"	R1	R2	S	G	SLOPE
12	2	4	2-0	4-0 7/8	6-1 3/8	2-0	20	4-6 1/8	6-6 1/8	19 15/16	13	10 1/8	9	4	2 1/2	3:1
15	2 1/4	6	2-3	3-10	6-1 1/2	2-6	24	4-3 11/16	6-6 11/16	24 5/16	16	12 1/2	11	4	2 1/2	3:1
18	2 1/2	9	2-3	3-10	6-1	3-0	28	4-3 7/8	6-6 7/8	29	19	15 1/2	12	4	2 3/4	3:1
21	2 3/4	9	2-11	3-2	6-1	3-6	32	3-8 5/16	6-7 5/16	31 5/8	22	16 1/8	13	4	2 3/4	3:1
24	3	9 1/2	3-7 1/2	2-6	6-1	4-0	36	3-0 1/2	6-8	33 3/16	25	16 13/16	14	4	3	3:1

Design Notes:

1. The joints are to be compatible with the main run of pipe.