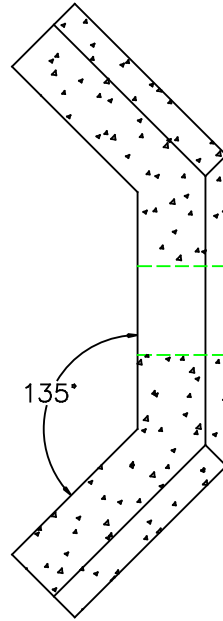
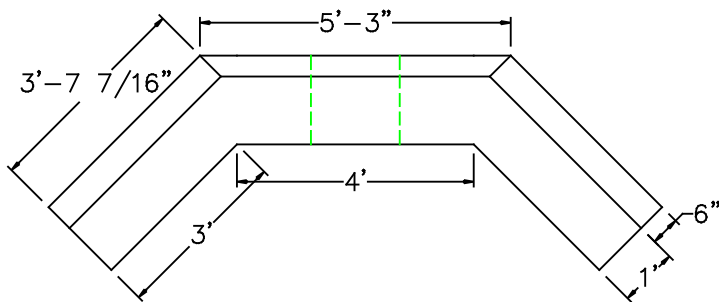
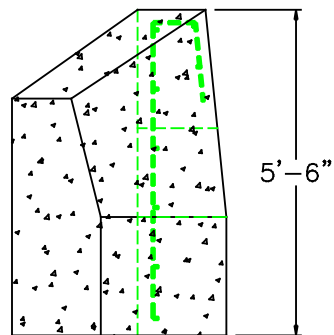
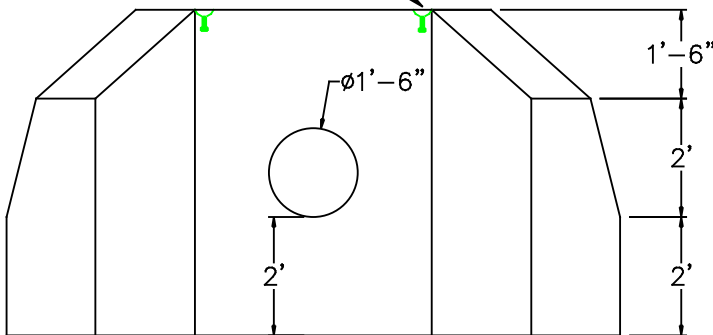


12" RCP WINGWALL



(P-52 SL SWIFT LIFT ANCHOR)



DESIGN NOTES:

1. CONCRETE 5,000 PSI @ 28 DAYS
2. REINFORCEMENT ASTM A-615 GRADE 60, 2" MIN. COVER #5 REBAR 12" OCBW
4. UNIT WEIGHT 10,400 lbs.



NPCA

Precast ... The Concrete Solution.

		SCITUATE RAY PRECAST 120 CLAY PIT ROAD MARSHFIELD, MA 02050 PHONE # 1-800-440-0009 FAX # 781-837-4320	
		CONTRACTOR:	JOB NAME:
DATE:	DRAWING: SRP-WW12	DRAWING BY: C. J. SCOTT	