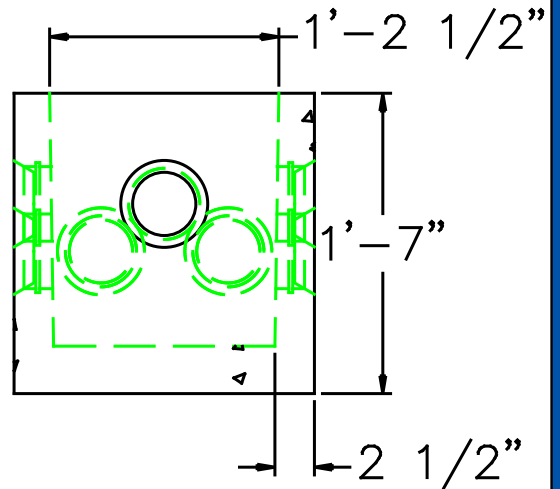
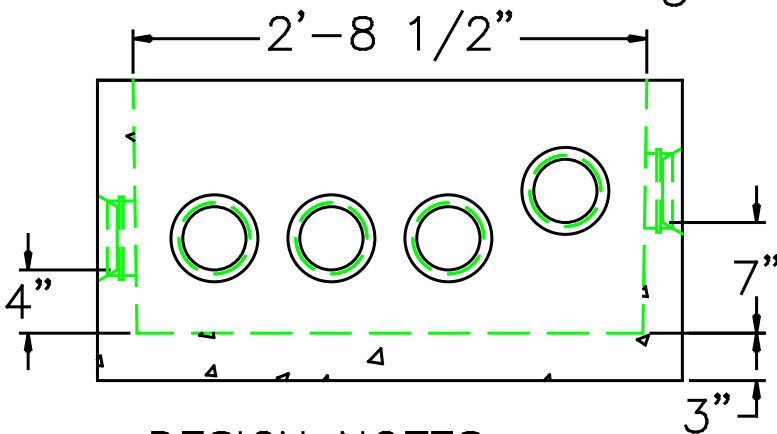
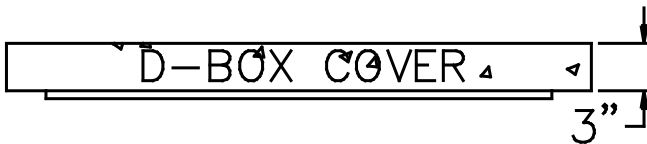
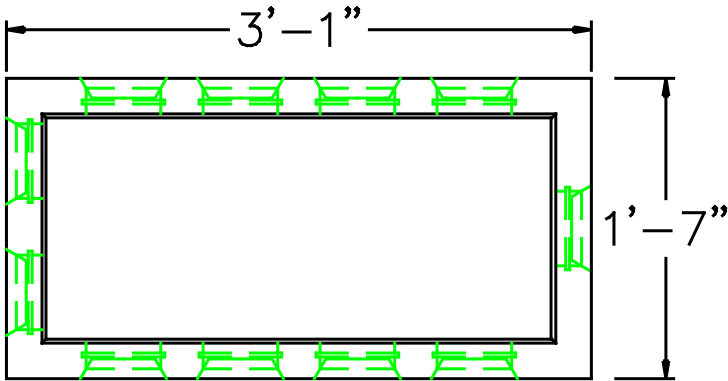


DB-8 SIDE INLET



DESIGN NOTES:

1. CONCRETE 4,000 PSI @ 28 DAYS
2. KNOCK-OUT OPENINGS FOR 4" PVC
3. REINFORCING AS REQUIRED
4. BUTYL SEALANT AVAILABLE
5. 16" RISER SECTION AVAILABLE



SCITUATE RAY PRECAST
 120 CLAY PIT ROAD
 MARSHFIELD, MA 02050
 PHONE # 1-800-440-0009
 FAX # 781-837-4320

CONTRACTOR:

JOB NAME:

DATE:

DRAWING: DB-8SI

DRAWING BY: C.J. SCOTT

