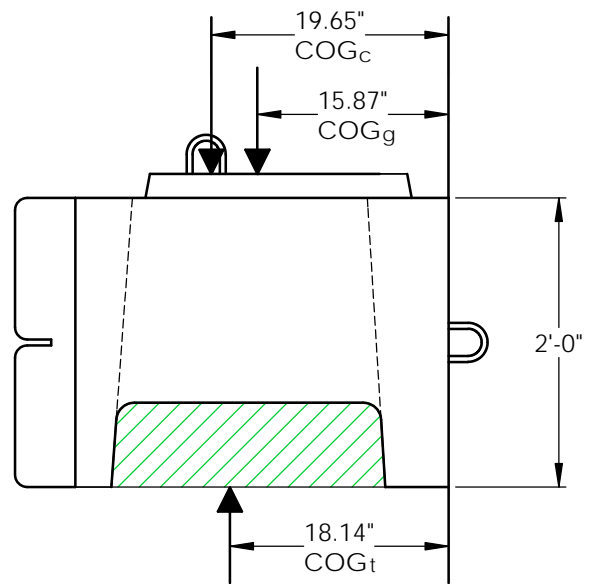
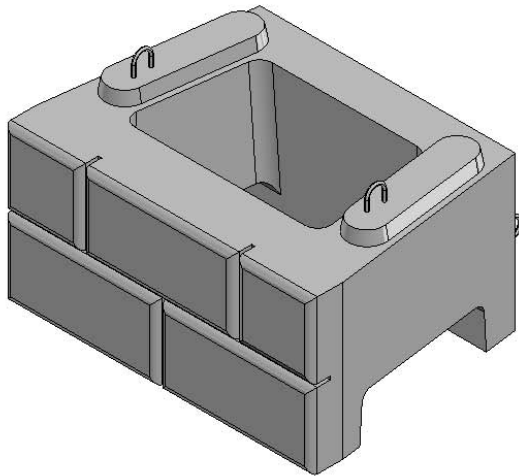
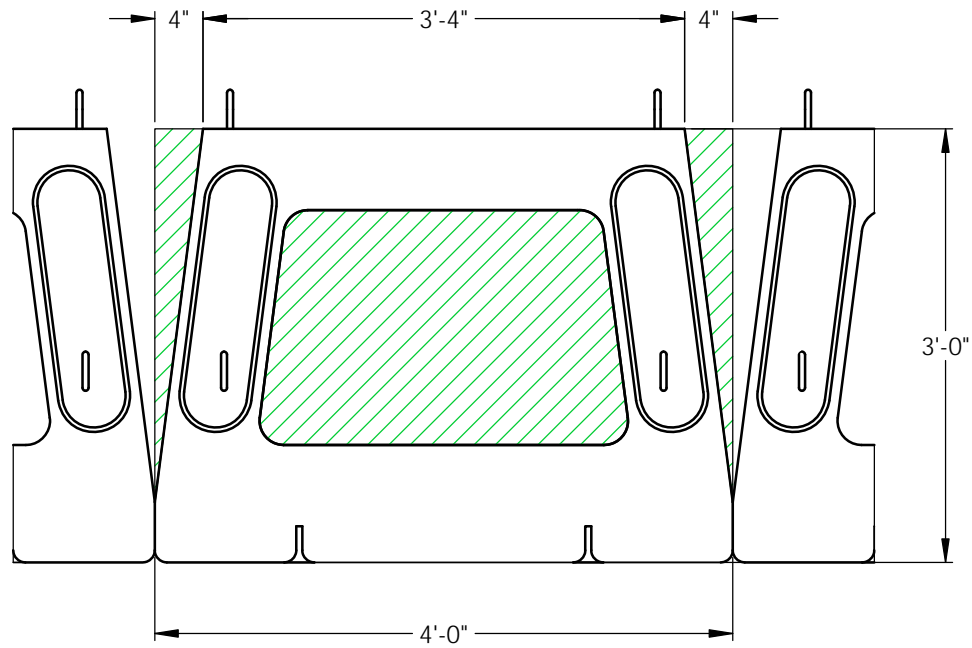


36" STANDARD BLOCK & GRAVEL INFILL



CONCRETE BLOCK DATA

DESIGN UNIT WEIGHT (γ_c) = 142 pcf
 VOLUME (V_c) = 12.36 cft
 BLOCK WEIGHT (W_c) = 1,755 lbs
 CENTER OF GRAVITY (COG_c) = 19.65" (SEE NOTES)

GRAVEL INFILL DATA

DESIGN UNIT WEIGHT (γ_g) = 110 pcf
 VOLUME (V_g) = 11.64 cft
 GRAVEL INFILL WEIGHT (W_g) = 1,280 lbs
 CENTER OF GRAVITY (COG_g) = 15.87" (SEE NOTES)

NOTES:

- VOLUME, WEIGHT AND COG CALCULATIONS WERE DONE USING CAD SOFTWARE.
- COG MEASUREMENTS ARE FROM BACK OF BLOCK

COMBINED UNIT DATA

DESIGN UNIT WEIGHT (γ_t) = (1,755 lbs + 1,280 lbs) / 24 cft = 126 pcf
 VOLUME (V_t) = 12.36 cft + 11.64 cft = 24.00 cft
 TOTAL UNIT WEIGHT (W_t) = 3,035 lbs
 CENTER OF GRAVITY (COG_t) = 18.14" (SEE NOTES)



DRAWN BY
DAN BALLING

DATE
11/25/2013

TITLE:

STANDARD BLOCK

DWG NO.

BD-02

16500 SOUTH 500 WEST
 BLUFFDALE, UTAH 84065
 PHONE: (801) 571-2028

SCALE: 1: 15

SHEET 1 OF 1