

DESIGN NOTES:

1. CONCRETE 5,000 PSI @ 28 DAYS
2. REINFORCING PER STRUCTURAL ENGINEER CALCULATIONS WITH 1" CLEAR COVER TYPICAL
3. STRUCTURE DESIGNED FOR H-20 LOADING WITH 12" (min) TO 108" (max) COVER OVER CULVERT



120 CLAY PIT ROAD  
MARSHFIELD, MA 02050  
PHONE # 1-800-440-0009  
FAX # 781-837-4320

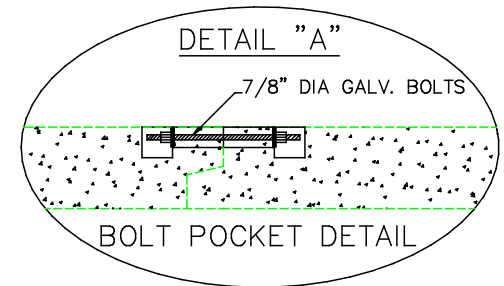
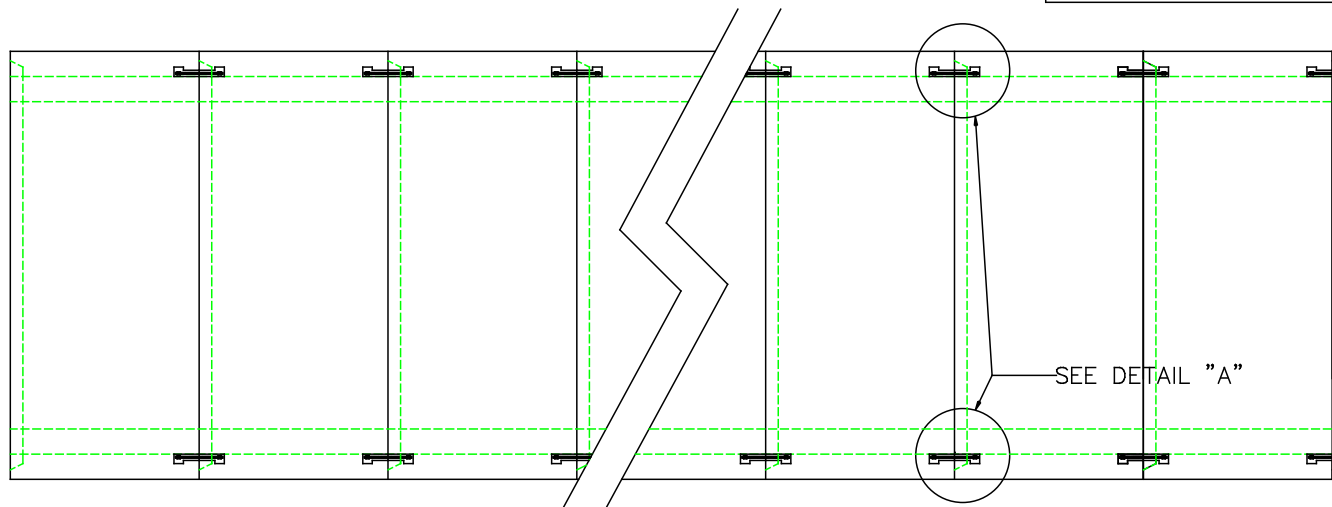
CONTRACTOR:

JOB NAME:

DATE:

APPROVED BY:

8' X 10' BOX CULVERT



**NPCA**  
Precast ... The Concrete Solution.

