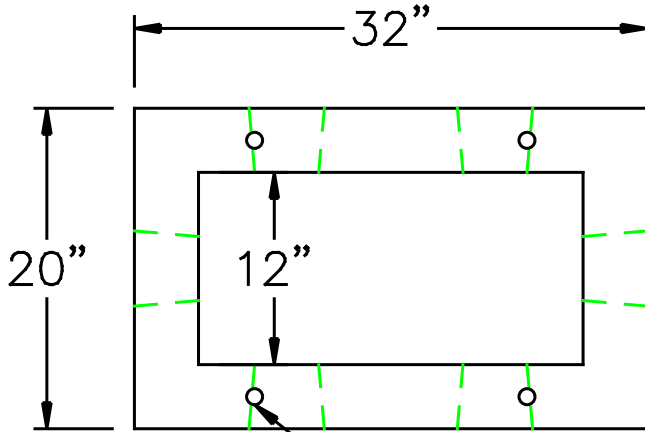


CITY OF BOSTON PULLBOX 12X24 (SHORT)

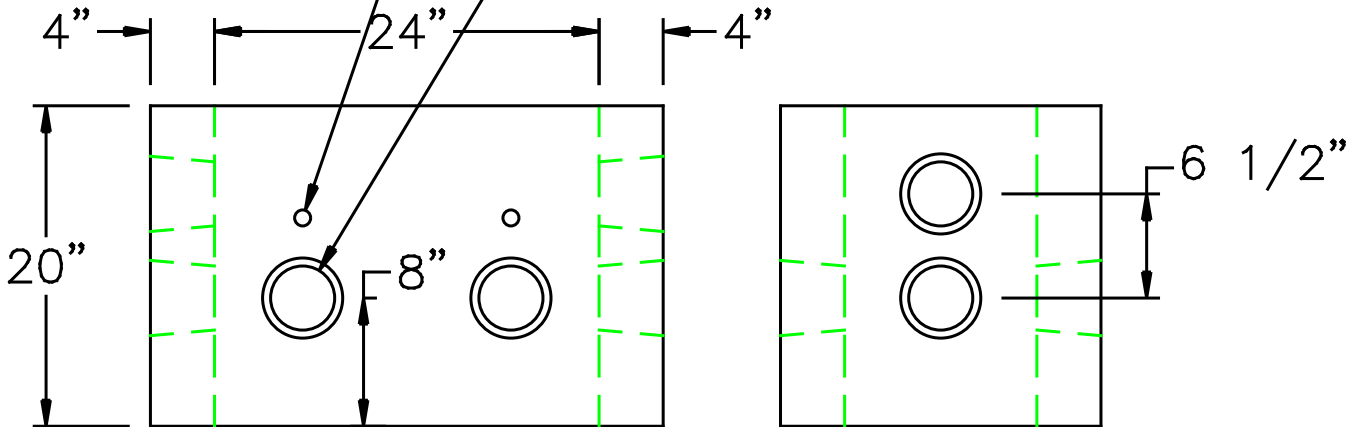


DESIGN NOTES:

1. CONCRETE 4,000 PSI AT 28 DAYS
2. REINFORCING #5 REBAR GRADE-60
12-VERTICAL & 3-HORIZONTAL
3. WILL ACCEPT D.P.W. FRAME & COVER
4. DESIGN FOR HS20-44 LOADING

4 - $\frac{3}{4}$ " 56T STAR INSERTS

8 - 4" CONCRETE PLUGS FOR ANY CONFIGURATION



SCITUATE RAY PRECAST
120 CLAY PIT ROAD
MARSHFIELD, MA 02050
PHONE # 1-800-440-0009
FAX # 781-837-4320

CONTRACTOR:

JOB NAME:

DATE:

DRAWING: SRP-PB1224S

DRAWING BY: C.J. SCOTT