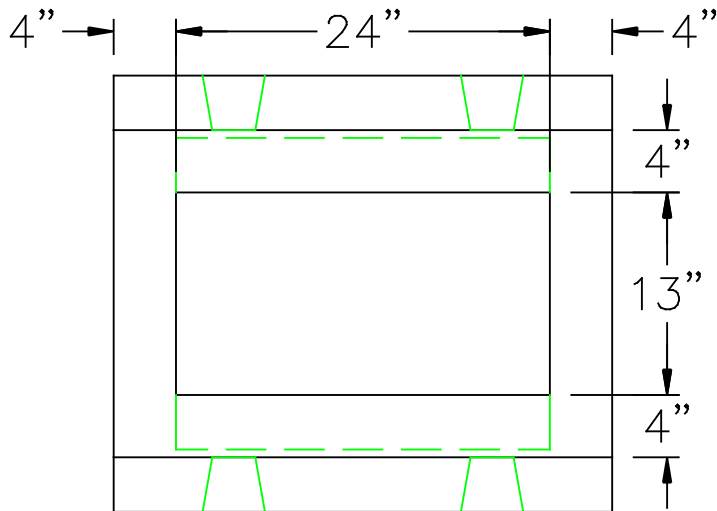


13" X 24" PULLBOX

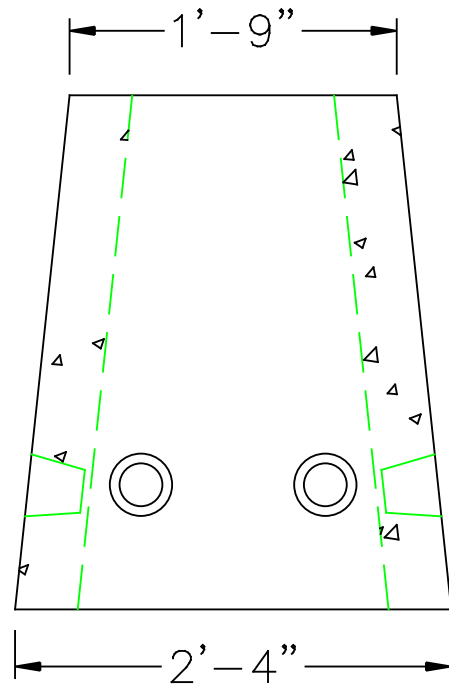
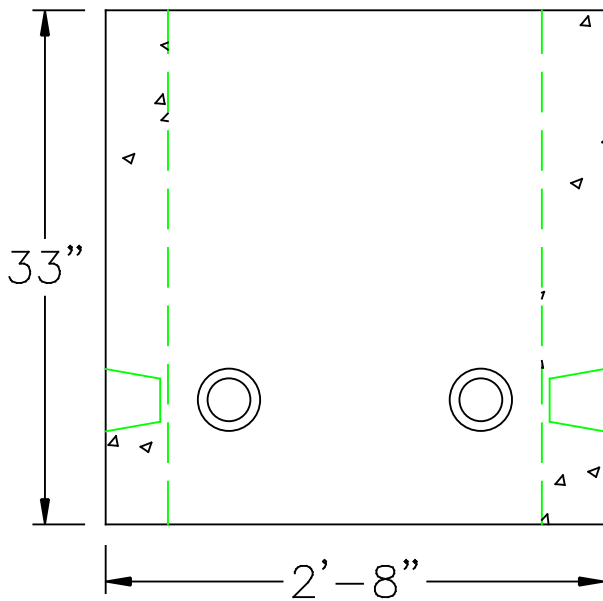


NPCA

Precast ... The Concrete Solution.

DESIGN NOTES:

1. CONCRETE 4,000 PSI AT 28 DAYS
2. REINFORCING #5 REBAR GRADE-60
12-VERTICAL & 4-HORIZONTAL
3. WILL ACCEPT D.P.W. FRAME & COVER



**SCITUATE
COMPANIES**

SCITUATE RAY PRECAST
120 CLAY PIT ROAD
MARSHFIELD, MA 02050
PHONE # 1-800-440-0009
FAX # 781-837-4320

CONTRACTOR:

JOB NAME:

DATE:

DRAWING: SRP-PB1324

DRAWING BY: C.J. SCOTT