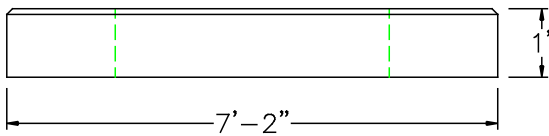
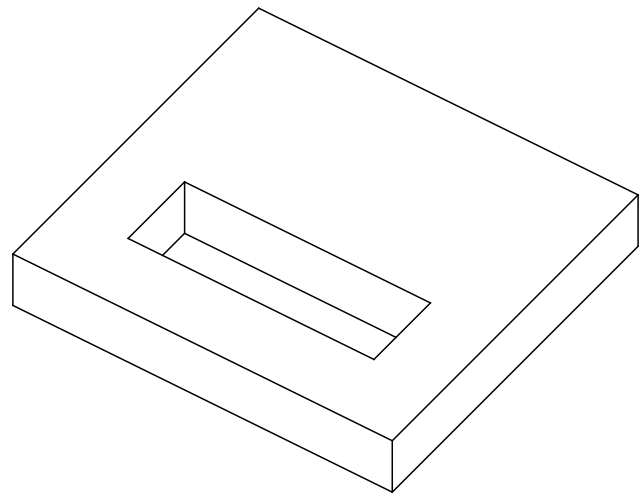
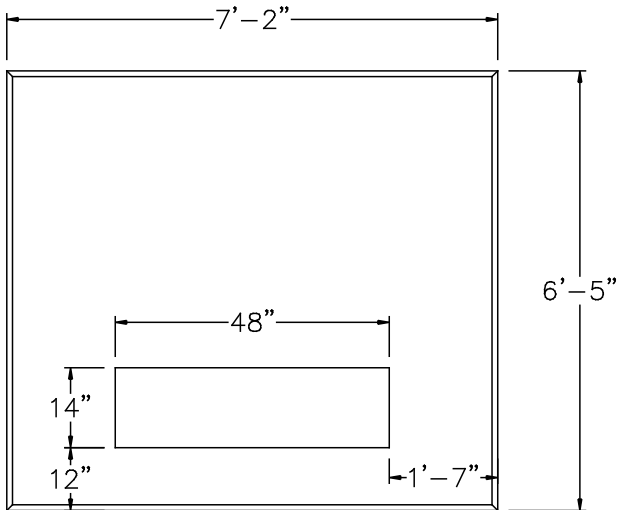
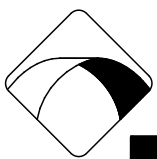


# THREE PHASE TRANSFORMER (PAD) FOUNDATION 750-KVA



## DESIGN NOTES:

1. CONCRETE 5,000 PSI  
@ 28 DAYS
2. REINFORCEMENT ASTM A-615  
GRADE 60, 1" MIN. COVER
3. DESIGNED FOR H-20 LOADING
4. OPENINGS AS REQUIRED



**NPCA**

Precast ... The Concrete Solution.



SCITUATE RAY PRECAST  
120 CLAY PIT ROAD  
MARSHFIELD, MA 02050  
PHONE # 1-800-440-0009  
FAX # 781-837-4320

CONTRACTOR:		JOB NAME:	
DATE:	DRAWING: SRP-TRANS	DRAWING BY:	C. J. SCOTT