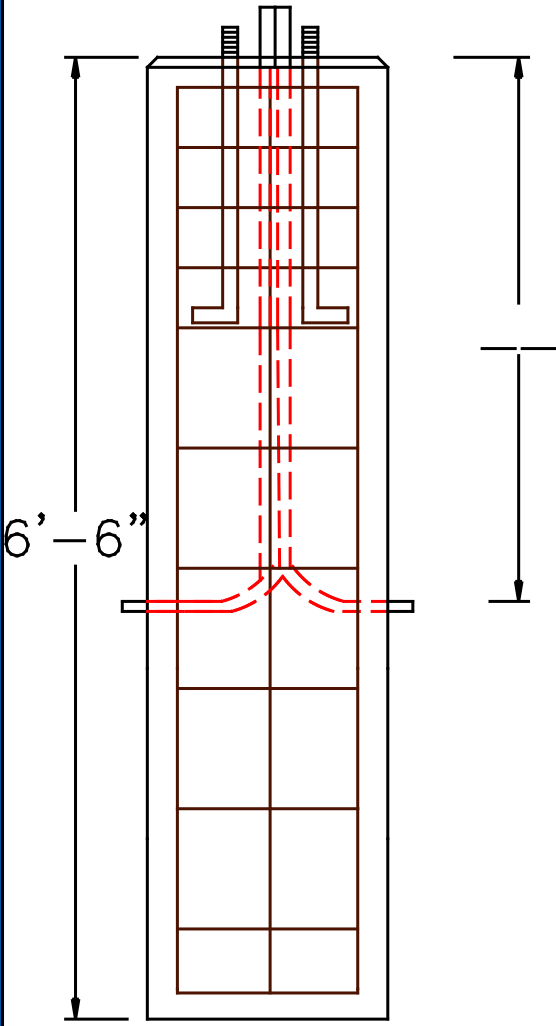
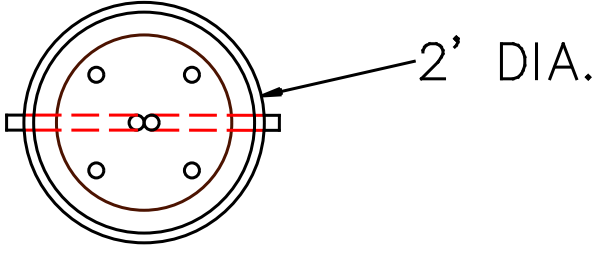


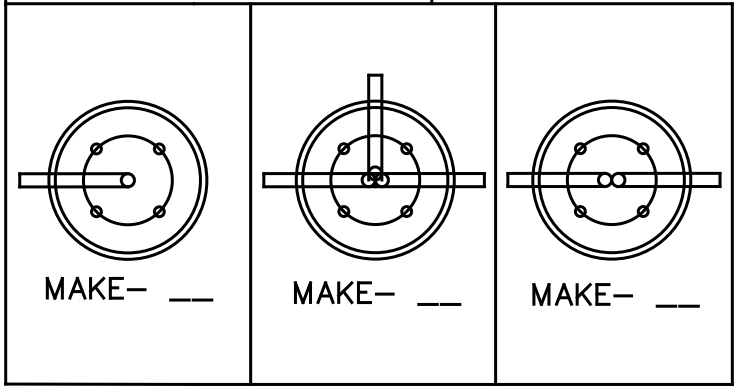
24" DIA X 6'-6" LIGHT BASE



- BOLT CIRICLE _____
- BOLT PROJECTION _____
- BOLTS _____
- CONDUIT - _____
- CONDUIT DEPTH - _____
- GROUND ROD - _____

- DESIGN NOTES:
1. CONCRETE 5,000 PSI @ 28 DAYS
 2. REINFORCING #3 TIES @ 8" O.C.,
(12) #5 REBAR VERTICALS EQUAL SPACED

CONDUIT LAYOUT:



SCITUATE RAY PRECAST
 120 CLAY PIT ROAD
 MARSHFIELD, MA 02050
 PHONE # 1-800-440-0009
 FAX # 781-837-4320

CONTRACTOR:		JOB NAME:	
DATE:	DRAWING: SRP-LB24R	DRAWING BY: C. J. SCOTT	