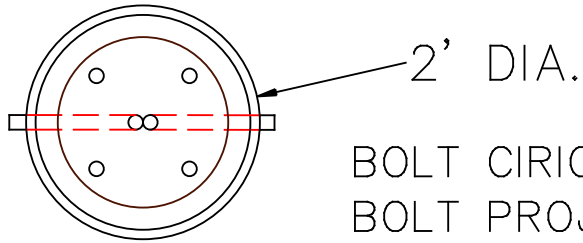


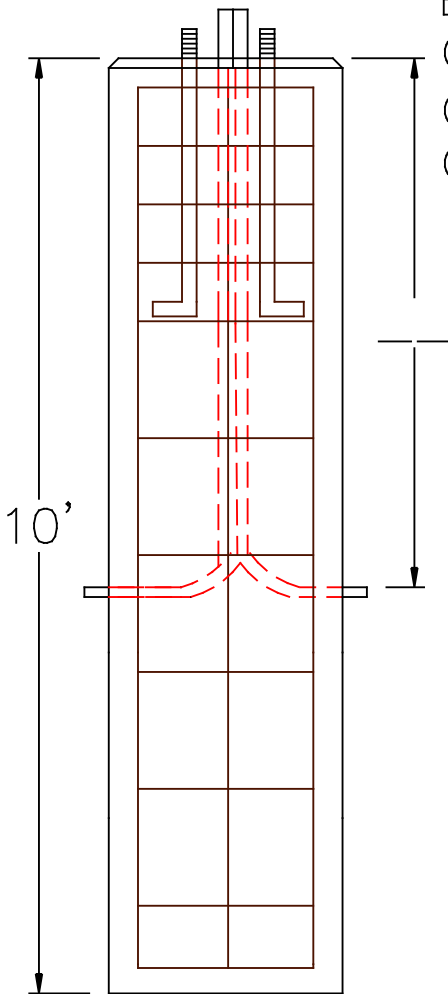
# 24" DIA X 10' TALL LIGHT BASE



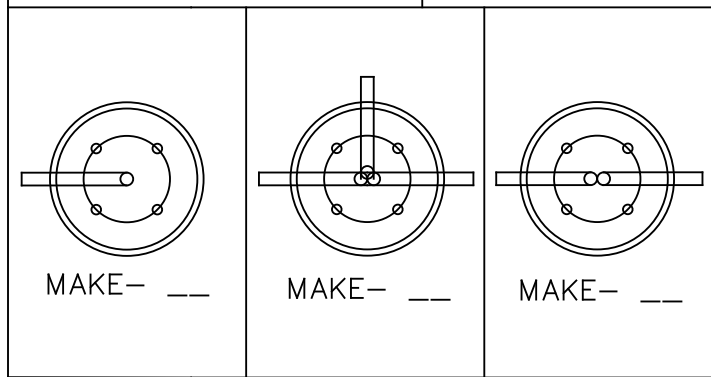
BOLT CIRICLE \_\_\_\_\_  
 BOLT PROJECTION \_\_\_\_\_  
 BOLTS \_\_\_\_\_  
 CONDUIT - \_\_\_\_\_  
 CONDUIT DEPTH - \_\_\_\_\_  
 GROUND ROD OR WIRE - \_\_\_\_\_

### DESIGN NOTES:

1. CONCRETE 5,000 PSI @ 28 DAYS
2. REINFORCING #3TIES @ 12" O.C.,  
 (8) #5 REBAR VERTICALS EQUAL SPACED



### CONDUIT LAYOUT:



**NPCA**  
 Precast ... The Concrete Solution.



SCITUATE RAY PRECAST  
 120 CLAY PIT ROAD  
 MARSHFIELD, MA 02050  
 PHONE # 1-800-440-0009  
 FAX # 781-837-4320

CONTRACTOR:

JOB NAME:

DATE:

DRAWING: SRP-LB2410R

DRAWING BY:

C. J. SCOTT