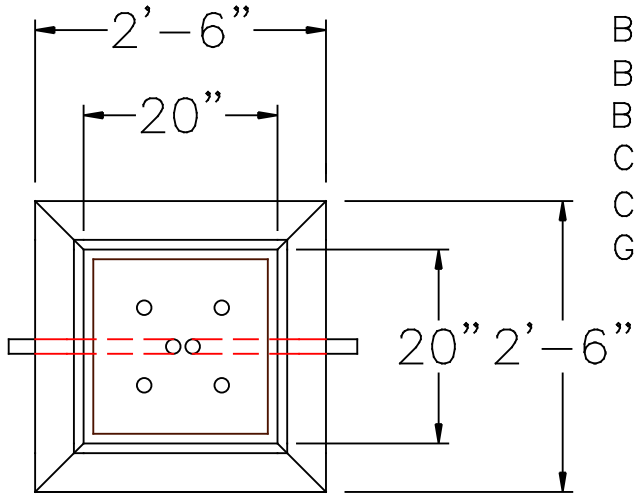
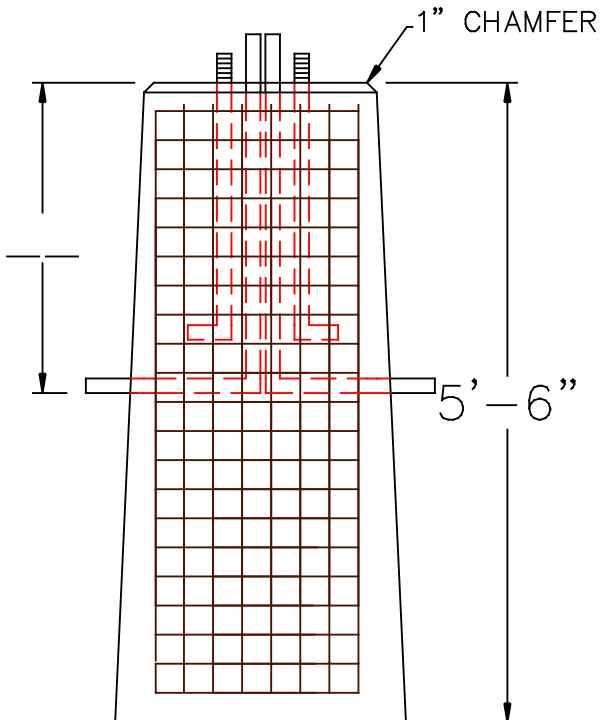


# 20" X 5'-6" TAPERED LIGHT BASE



BOLT CIRCLE \_\_\_\_\_  
 BOLT PROJECTION \_\_\_\_\_  
 BOLTS \_\_\_\_\_  
 CONDUIT \_\_\_\_\_  
 CONDUIT DEPTH- \_\_\_\_\_  
 GROUND ROD OR WIRE- \_\_\_\_\_



### DESIGN NOTES:

1. CONCRETE 5,000 PSI @ 28 DAYS
2. REINFORCING ASTM A-615 GRADE  
60 #5 REBAR 12" O.C.B.W. OR EQUAL
3. STRUCTURE DESIGNED FOR H-20 LOADING
4. HOLES TO BE CAST AS SHOWN

CONDUIT LAYOUT:		
MAKE- ___	MAKE- ___	MAKE- ___



SCITUATE RAY PRECAST  
 120 CLAY PIT ROAD  
 MARSHFIELD, MA 02050  
 PHONE # 1-800-440-0009  
 FAX # 781-837-4320

CONTRACTOR:		JOB NAME:	
DATE:	DRAWING: SRP-LB20T	DRAWING BY:	C. J. SCOTT